

Scalable Traffic management for Emergency Response Operations
(STEReO)

Airspace Operations Laboratory (AOL) Unmanned Aircraft Systems
(UAS) Traffic Management (UTM) (AOLUSS)

Tabletop Overview
November 2020

George Lawton

Contents

AOLUSS

Buildout

Network

AOLUSS

AOLUSS – UTM USS

- Cloud and Deployable variations
- Standalone USS – isolated USS
- Discovery Grid – provides connectivity with partner USS



NAS View (FEP)

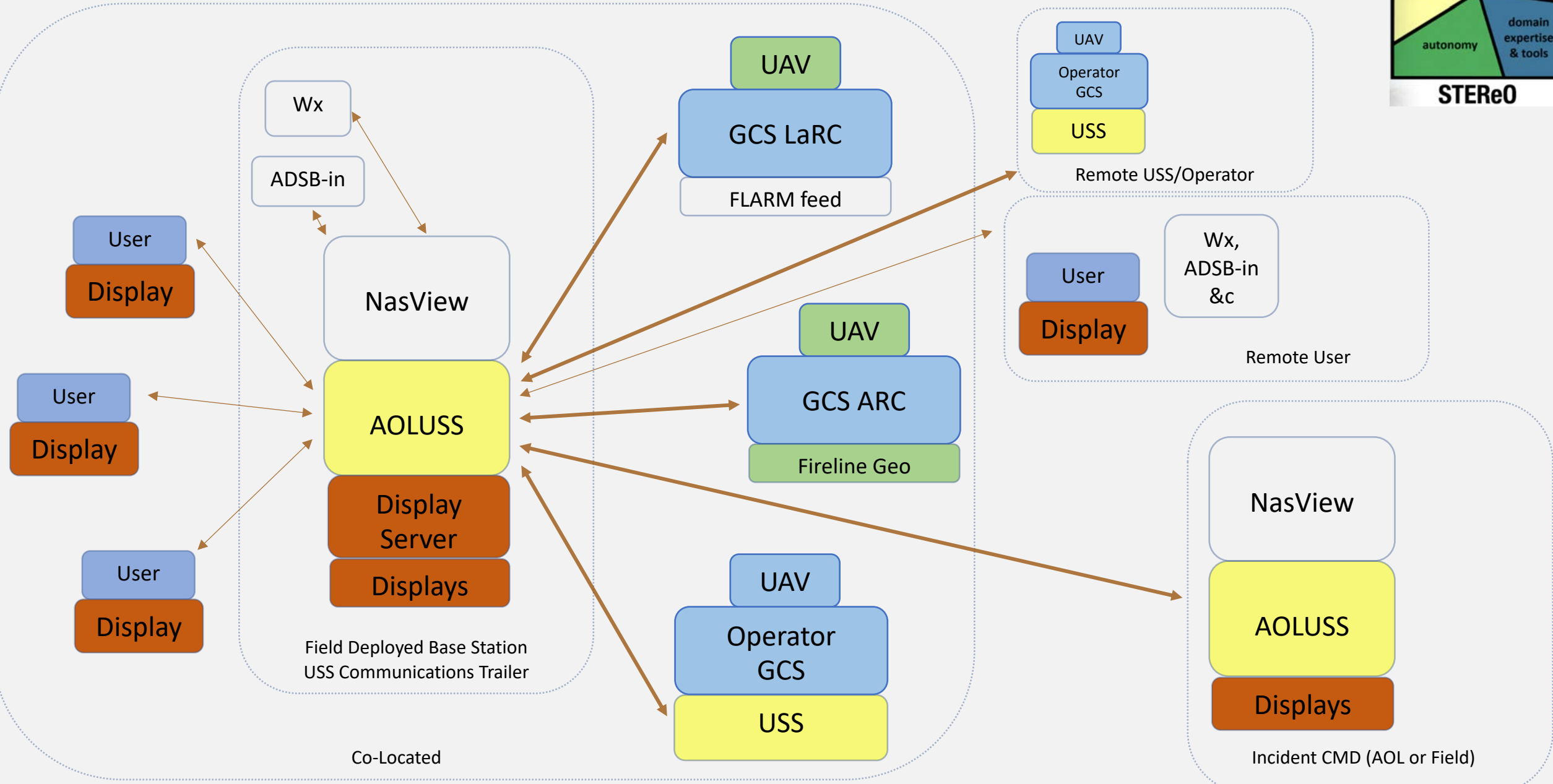
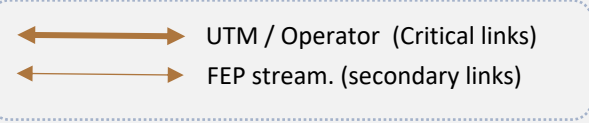
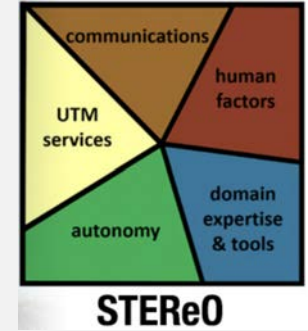
- APRS-VHF based asset tracking (boots on the ground)
- Local ADSB Surveillance
- TFR, SWIM (Center/TRACon/ASDE-X radar), and WX (backhaul required)
- Surveillance Injection (local sUAS radar and/or vision)
- FTA tracking – digital support for ATGS handoff
- Air Base tracking -- supports reducing radio communications
- Common Lab Display API



"Buckhorn" FIRE
Pressure 29.92
3000 ATGS
2000 Tankers
1000 Heli
100 Elevation
Hazards NONE
Freq: TBD

STEReO USS Connectivity*

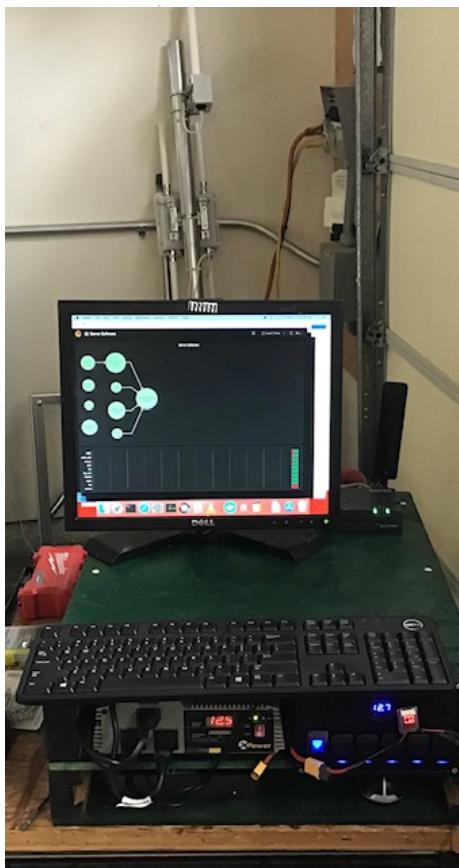
* does not include sUAS to GCS nor Payload comms



Buildout

- Phase I – calendar Q4 2020 - Ames Testing
 - Simple single server
 - Single VHF radio (APRS)
 - Single cellular router (First Net – public static IP)
 - Grafana base metrics: USS, network, and backhaul
 - No: FLARM, VHF audio, displays (KVM only), charge center, cell amps, remote cameras
 - External generator power or battery
- Phase II – calendar Q1 2021 – Field Testing
 - Advanced network security, multiple servers
 - Add Verizon Cell and SATCOM backhauled (public static IP)
 - Add remote camera, FLARM and cellular amps
 - Add additional VHF radios, local weather station, displays, charge center
 - Multi-node Mesh WiFi network with directional links from base to remote GCS location
 - 19" Rack mounted servers/network (installable in trailer, van, or truck)

Phase 1



PHASE I - Device	Description	Power	Rack	Antenna Mount	Cabling
Ground	Ground vehicle to grounding rod in ground		ground	Stake	8-12awg?
Generator	Primary power	120VAC 30A?	N/A	TBD	TBD
UPS	Backup power		4u	N/A	Gen Power
Servers	AOLUSS, javAPRS, NasView, NTP	120VAC 150W	2u-server	N/A	AC Power/Cat6/USB/HDMI
Network Appliance	PoE Switch	TBD	2u-net	N/A	AC Power/Cat6
WiFi	LAN	TBD (<30W in spec)	2u-net	Pole-omni	AC? Power/Cat6/coax
Cellular	Cellular connectivity, (first net)	12VDC – 1-? W	2u-net	Pole-dir	AC?DC Power/Cat6/coax
Satcomm	Low bandwidth	120VAC 224W		TBD	AC Power/Cat6
12VDC power supply	Convert 120VAC to 12VDC	120VAC	rack	N/A	DC distribution bus
VHF: APRS	APRS freq (priority/normal)	12 to 156W	2u-radio	Pole-omni	DC Power/Serial to server-USB-A/coax
ADSB-IN	Local traffic with ADSB-OUT equipage)	500mW (PoE)	N/A	Pole-box	Cat6 PoE
Wx Station/console	Local weather conditions (solar/C batteries)	120VAC 2.5W	2u-drawer	Pole-bulk	AC Power/Serial to server-USB-A
KVM	Monitor server/display	120VAC ??	1u-KVM	N/A	AC Power/USB/HDMI server

Phase I

Gen

Custom Rack

2U Radio/Cell

1U KVM

4U 12VDC bus and
distribution

2U Servers

Roof or Ground

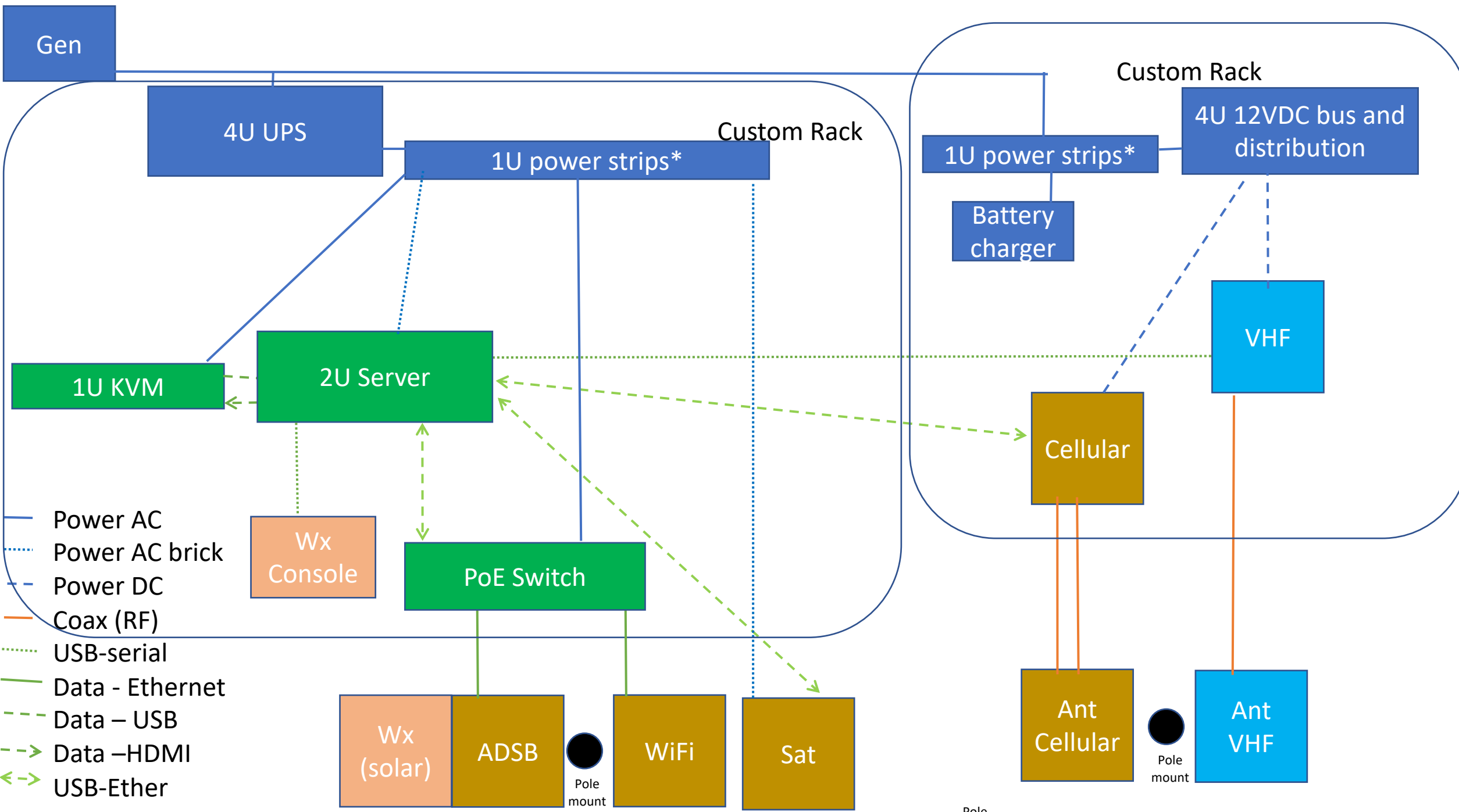
Ant
VHF

sat

Wx

ADSB

External Side



Gen

4U UPS

1U power strips*

Custom Rack

Custom Rack

1U power strips*

4U 12VDC bus and distribution

Battery charger

1U KVM

2U Server

Wx Console

PoE Switch

Cellular

VHF

Wx (solar)

ADSB

Pole mount

WiFi

Sat

Ant Cellular

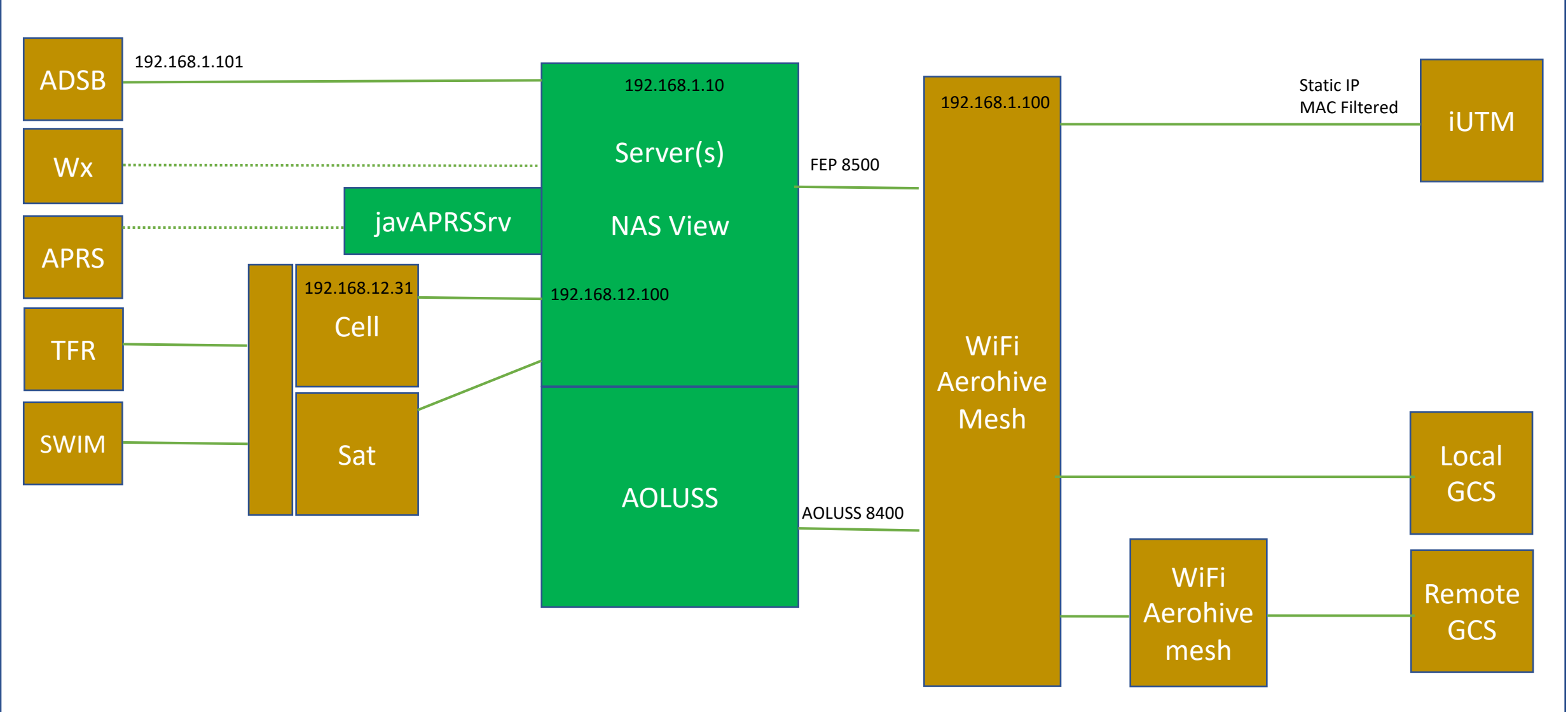
Pole mount

Ant VHF

Pole

- Power AC
- ⋯ Power AC brick
- - - Power DC
- Coax (RF)
- ⋯ USB-serial
- Data - Ethernet
- - - Data - USB
- - -> Data - HDMI
- - -> USB-Ether

Phase I - Network



Phase II

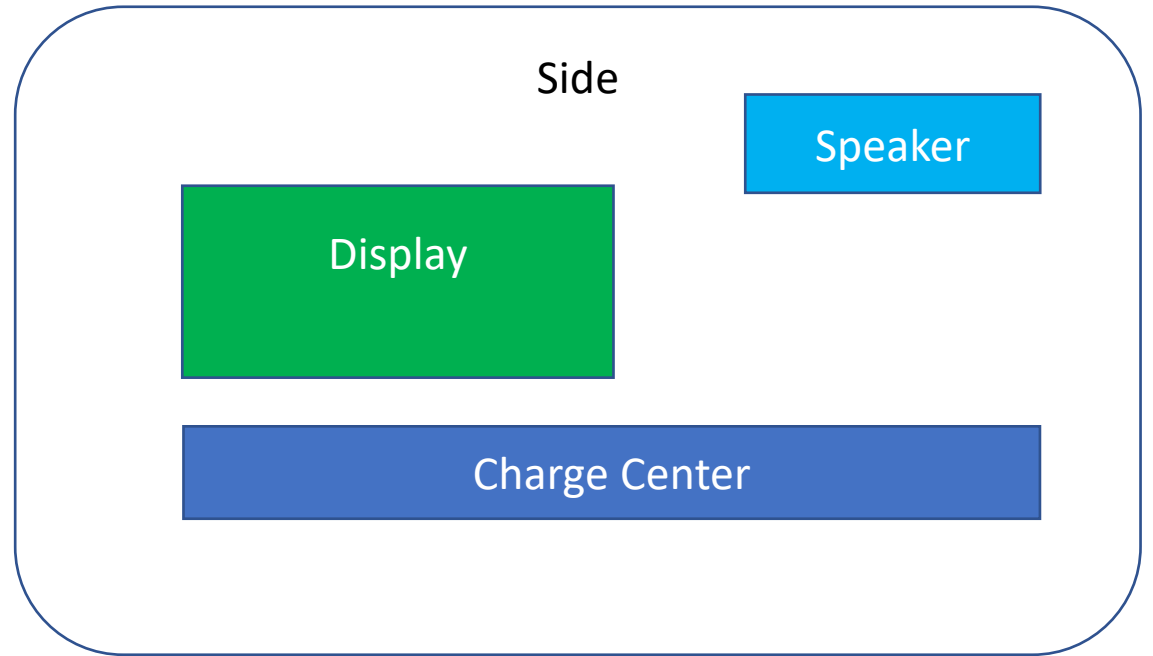
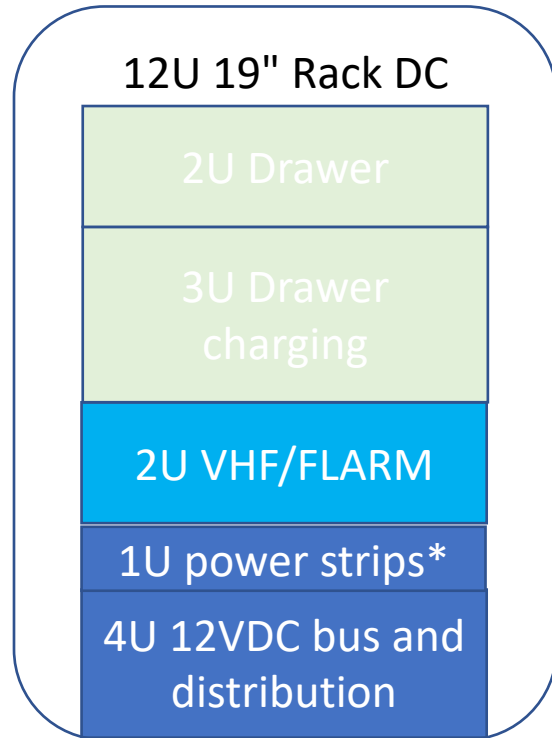
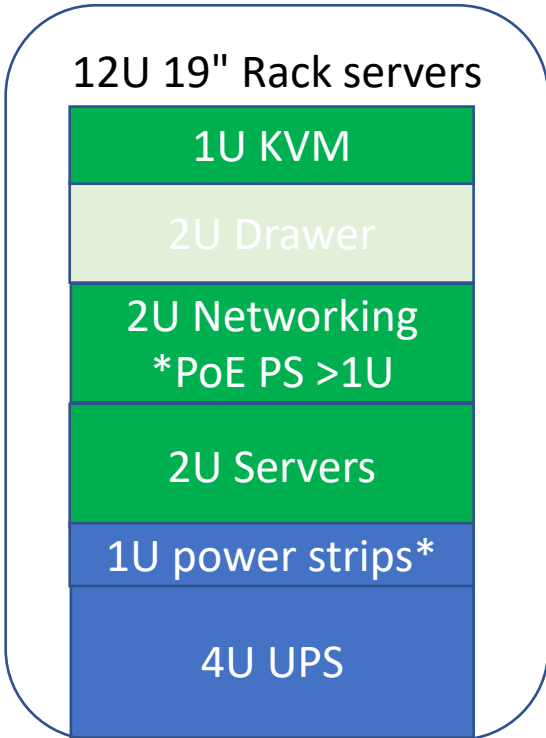
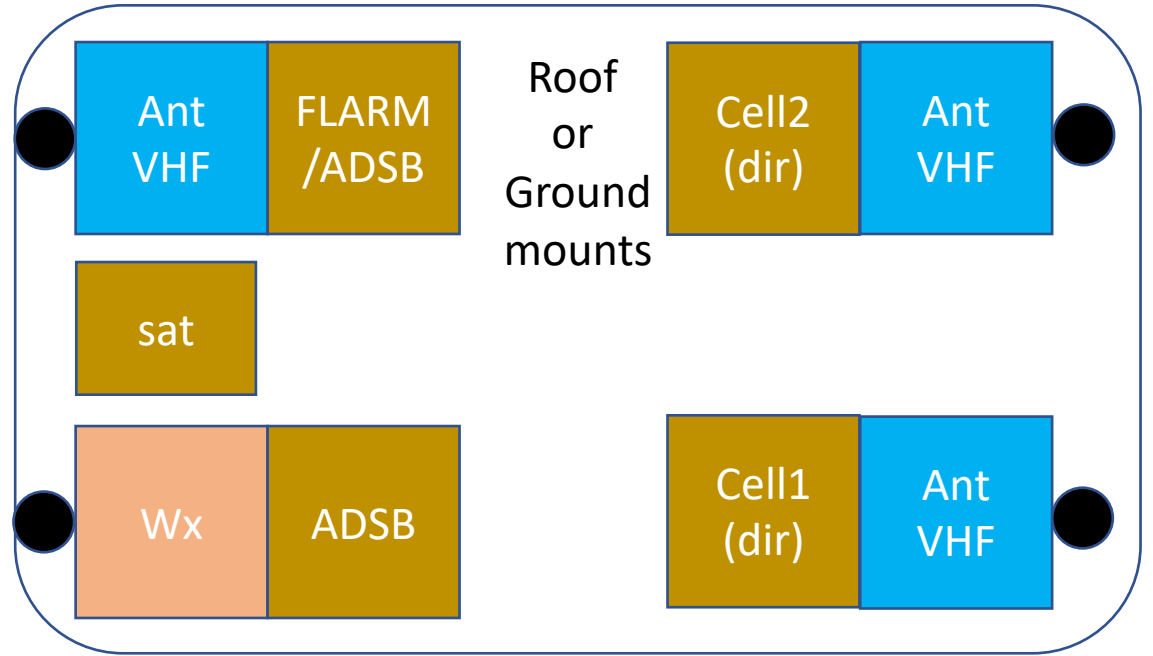
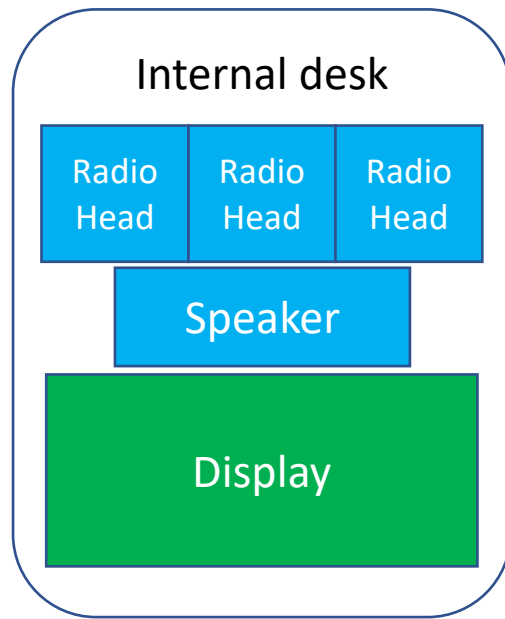
MCD-4800
Auto-Pointing BGAN Terminal
Portable Global WiFi Hotspot



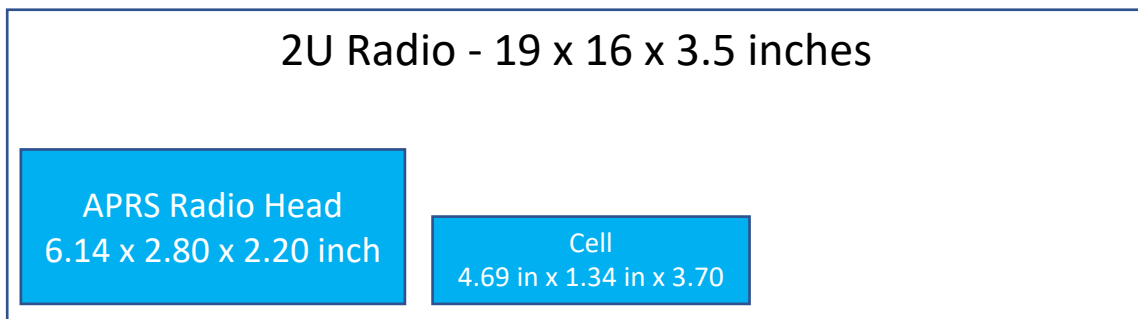
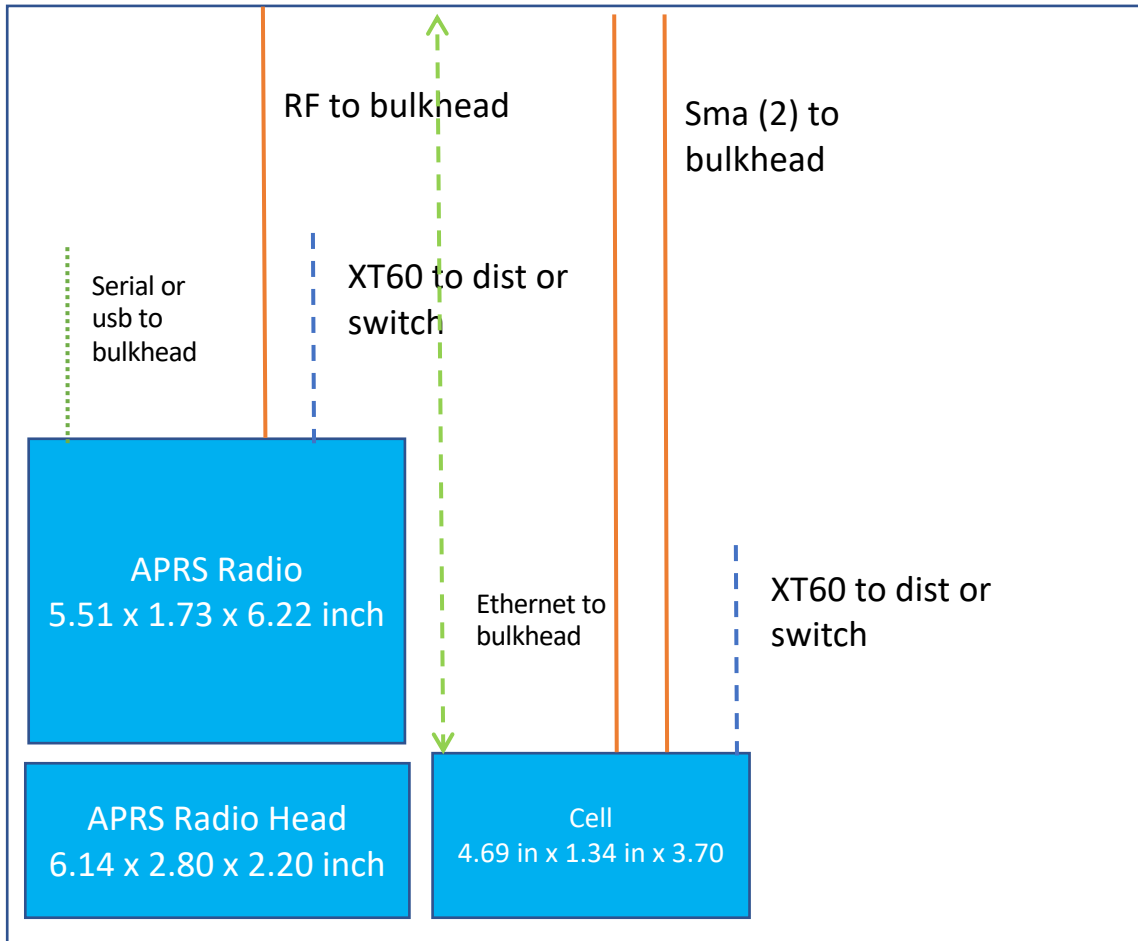
PHASE II - Device	Description	Power	Rack	Antenna Mount	Cabling
Ground	Ground vehicle to grounding rod in ground		ground	Stake	8-12awg?
Generator	Primary power	120VAC 30A?	N/A	TBD	TBD
UPS	Backup power		4u	N/A	Gen Power 30A Extension cable?
Servers (3)	AOLUSS, javAPRC, NasView, Displays	120VAC 150W	2u-server	N/A	AC Power/Cat6/USB/HDMI
Network Appliance	Security Appliance	120VAC ??	2u-net	N/A	AC Power/Cat6
WiFi	LAN	TBD	2u-net	Pole-omni	AC? Power/Cat6/coax
Cellular (2)	Cellular connectivity, if available (v & fn)	12VDC – 1-? W	2u-net	(2) Pole-dir	AC?DC Power/Cat6/coax
Satcomm	Low bandwidth – upgrade to kymeta or fixed hughes ant	120VAC 224W		TBD	AC Power/Cat6
12VDC power supply	Convert 120VAC to 12VDC	120VAC	rack	N/A	DC distribution bus
VHF: APRS	Dual APRS freq (priority/normal) - remote head	12 to 156W	2u-radio	Pole-omni	DC Power/Serial to server-USB-A/coax
VHF: audio	monitor USFS/CalFire - speaker – remote head	12 to 156W	2u-radio	Pole-omni	DC Power / speaker / coax
VHF: audio	monitor USFS/CalFire - speaker – remote head	12 to 156W	2u-radio	Pole-omni	DC Power / speaker / coax
ADSB-IN	Local traffic with ADSB-OUT equipage	500mW (PoE)	N/A	Pole-box	Cat6 PoE
Wx Station/console	Local weather conditions (solar/C batteries)	120VAC 2.5W	2u-drawer	Pole-bulk	AC Power/Serial to server-USB-A
Battery charger	Recharge C for wx station	120VAC ??	2u-drawer	N/A	AC Power
KVM	Monitor server/display	120VAC ??	1u KVM	N/A	AC Power/USB/HDMI server

Phase II

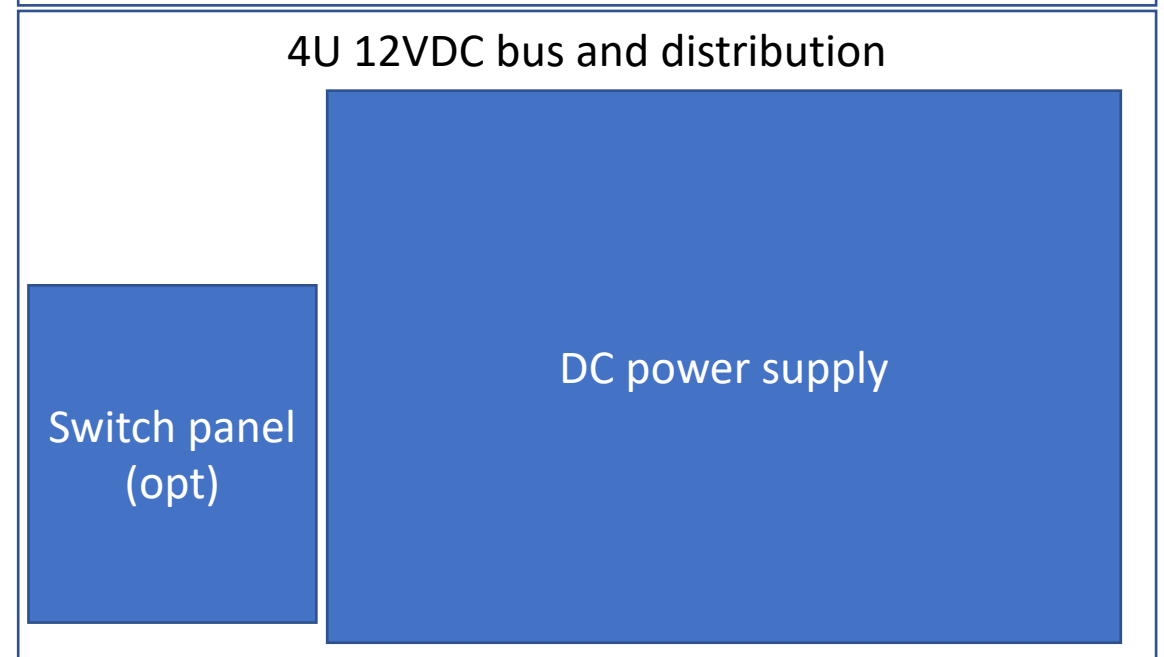
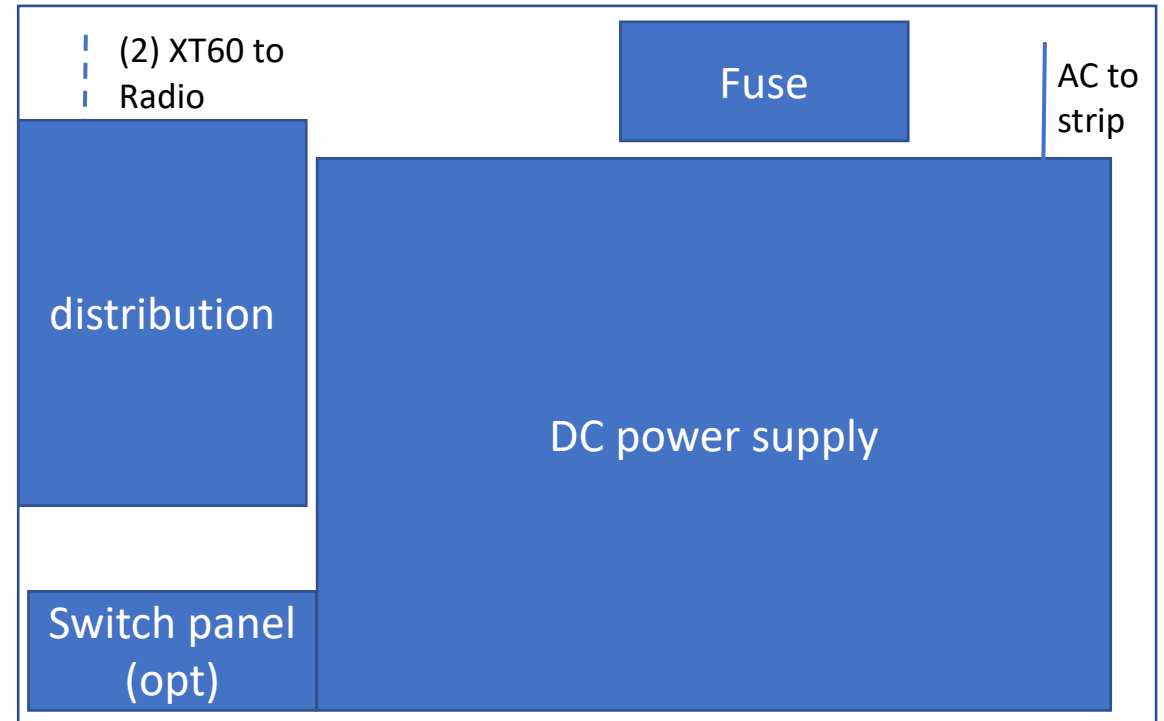
Gen



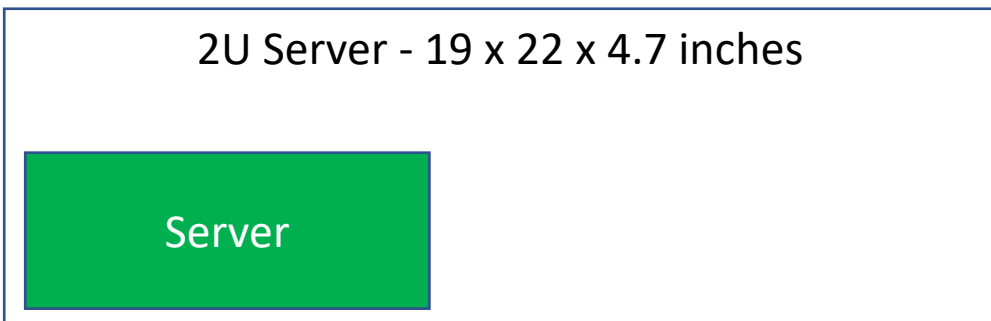
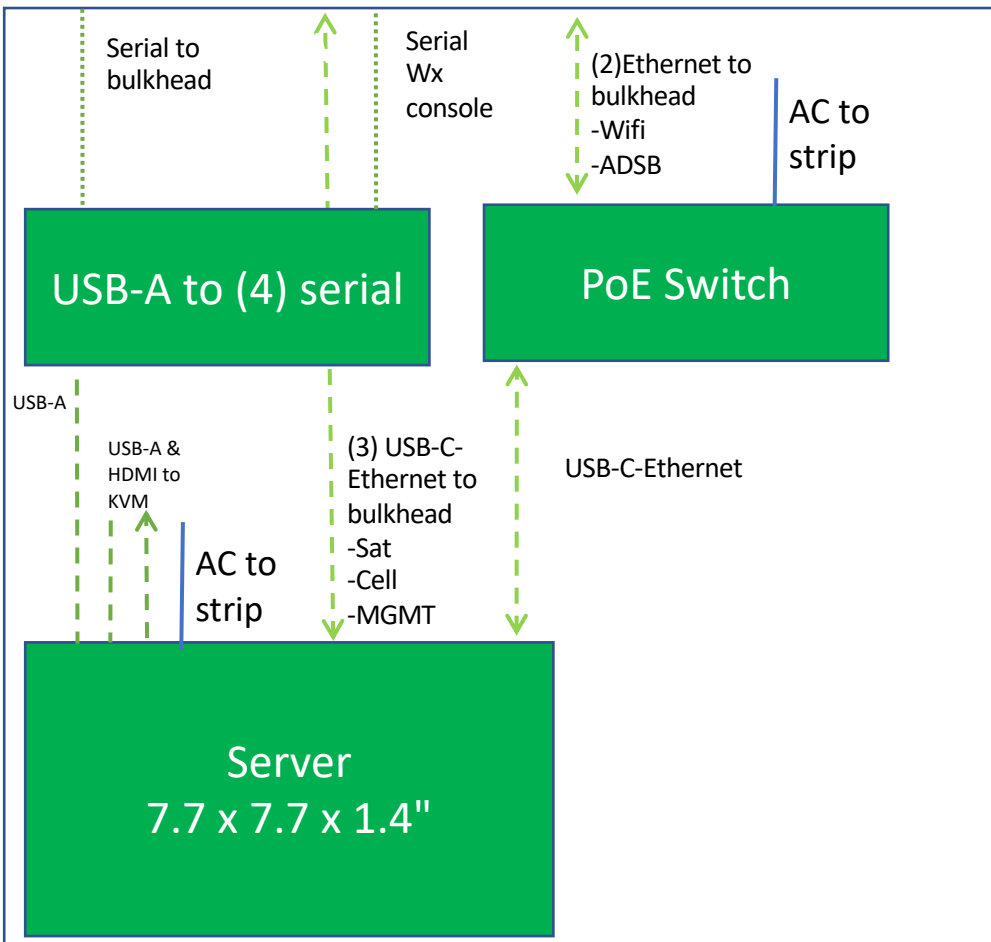
* rear rack mount?



2U radio



4U DC power



2U server

Network

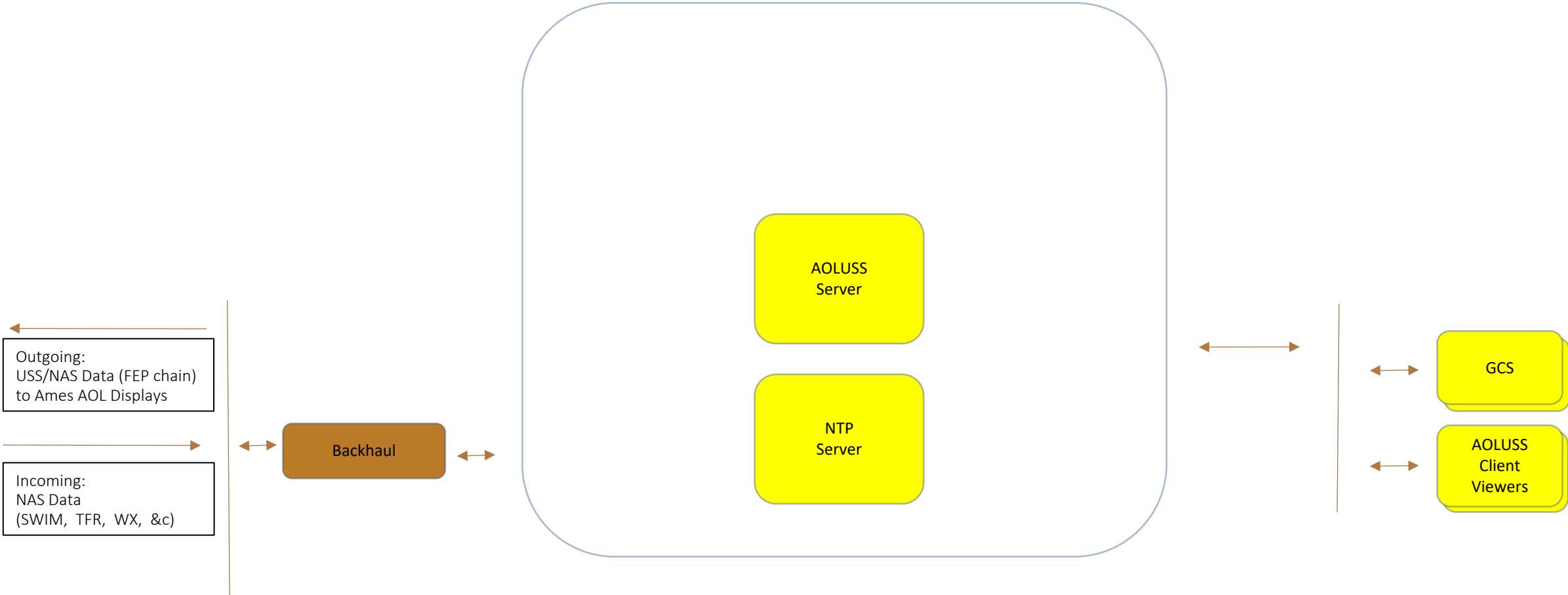
- The STEReO UTM core network is a field deployed network. It is intended to limit all network traffic to essential UTM traffic. All other traffic will need to be routed over a different network.
- Phase 1 firewalls may be Linux iptables or packet filter (pf) based instead of HW firewalls. The routing table configured in the field will depend on backhaul connectivity.
- WiFi Security:
 - Devices will be configured as static Internet Protocol (IP) address with Media Access Control (MAC) filtering
 - No peer to peer communications (isolated clients- will consider local/non-meshed SSID for Operator-Ground Control Station (GCS)-UAS Service Supplier (USS) connectivity)
 - Only Network Time Protocol (NTP) and UTM specific Transmission Control Protocol (TCP) traffic allowed (e.g. no Dynamic Host Configuration Protocol (DHCP), Dynamic Name Service (DNS), &c)
 - Time sync provided by NTP server
 - Static hosts files
- Only UTM TCP traffic allowed on the core network: Flight Information Management System (FIMS) tokens, Discovery and Synchronization Service (DSS), and USS2USS connections
 - Ability to deploy FIMS/DSS to the field or allow backhaul connections to cloud based FIMS/DSS*
 - USS to GCS communications will need to be handled outside of the core STEReO network (TBD)
 - Internet connectivity in the field is not guaranteed during an event
- Secondary core network that allows for low-bandwidth internet traffic (TBD)

* Backhaul for FIMS/DSS/USS could inject high connectivity latency if using SATCOM

STEReO UTM Network*

PHASE I - Standalone AOLUSS

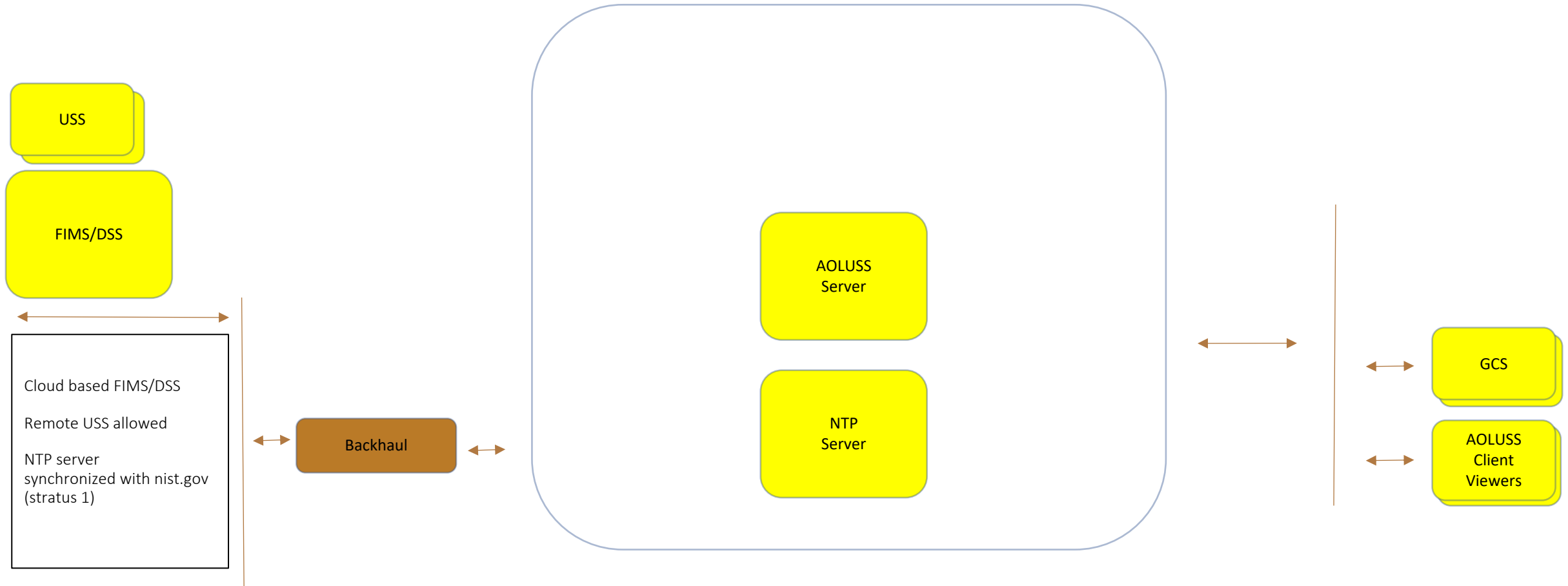
• does not include USS-GCS / UAS-GCS / Payload comms



STEReO UTM Network*

PHASE II-A - Cloud Based

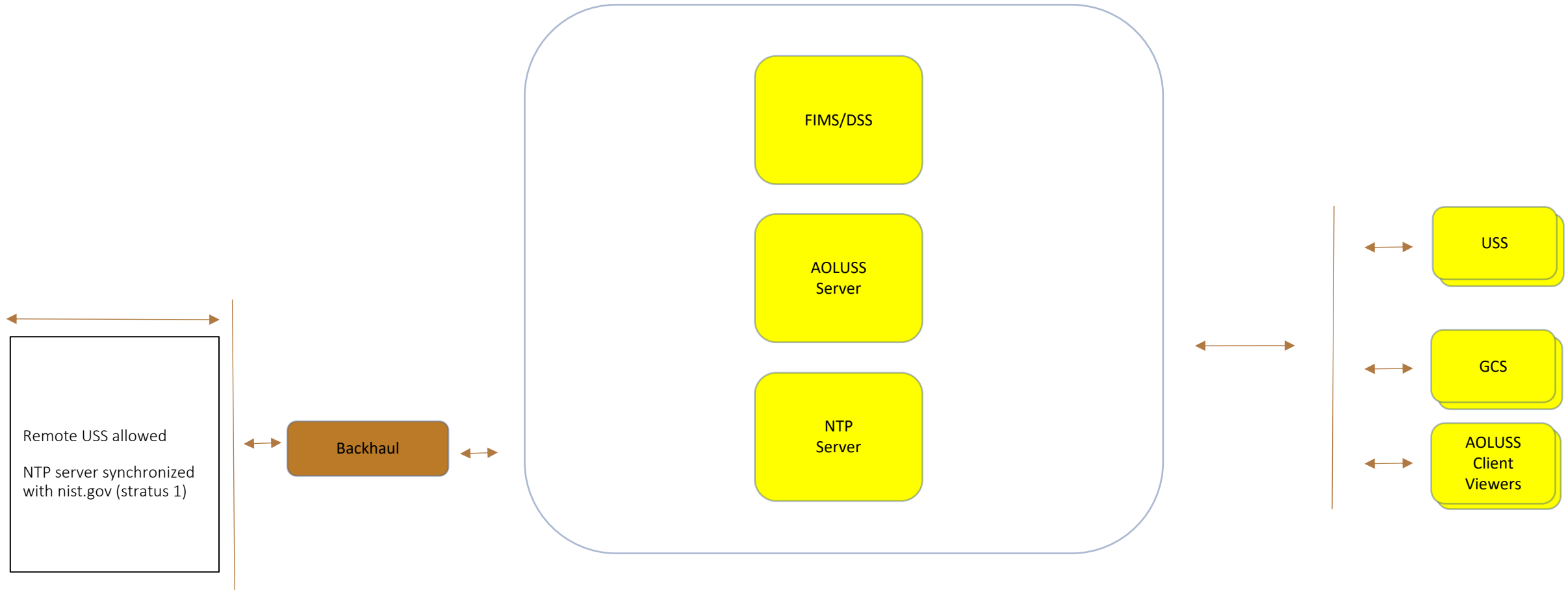
• does not include USS-GCS / UAS-GCS / Payload comms



STEReO UTM Network*

PHASE II-B - Deployable

- does not include USS-GCS / UAS-GCS / Payload comms



STEReO UTM

DHCP	Dynamic Host Configuration Protocol
DNS	Dynamic Name Service
DSS	Discovery and Synchronization Service
FEP	FEP Extensible Proxy
FIMS	Flight Information Management System (FIMS)
FTA	Fire Traffic Area
STEReO	Scalable Traffic Management for Emergency Response Operations
GCS	Ground Control Station
MAC	Media Access Control
NAS	National Airspace System
NTP	Network Time Protocol
SWIM	System Wide Information Management
TCP	Transmission Control Protocol
TFR	Temporary Flight Restriction
UAS	Unmanned Aircraft Systems
UTM	UAS Traffic Management
USS	UAS Service Supplier
Wx	Weather